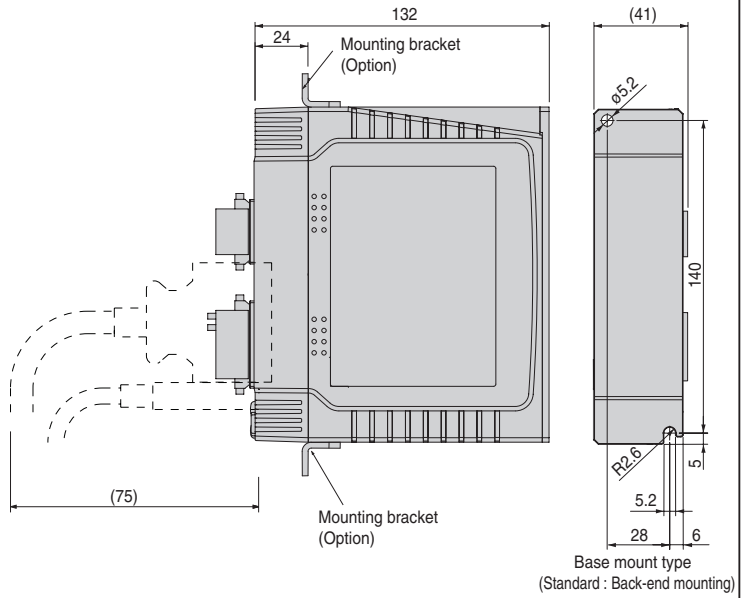
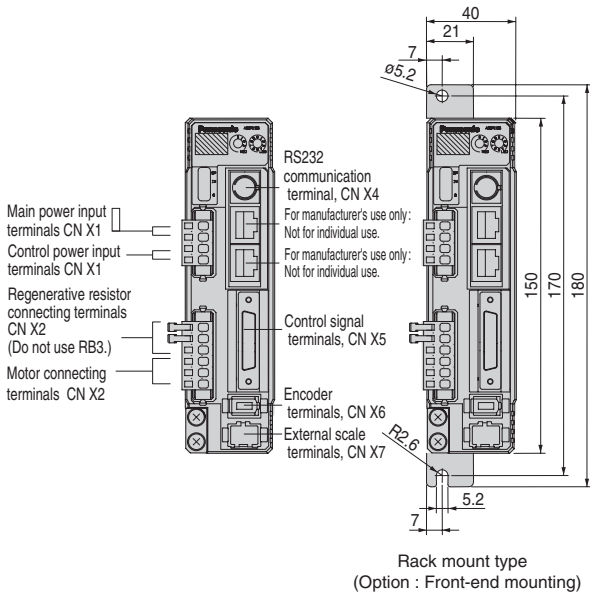


Driver/Dimensions

Frame A



Connector at driver side

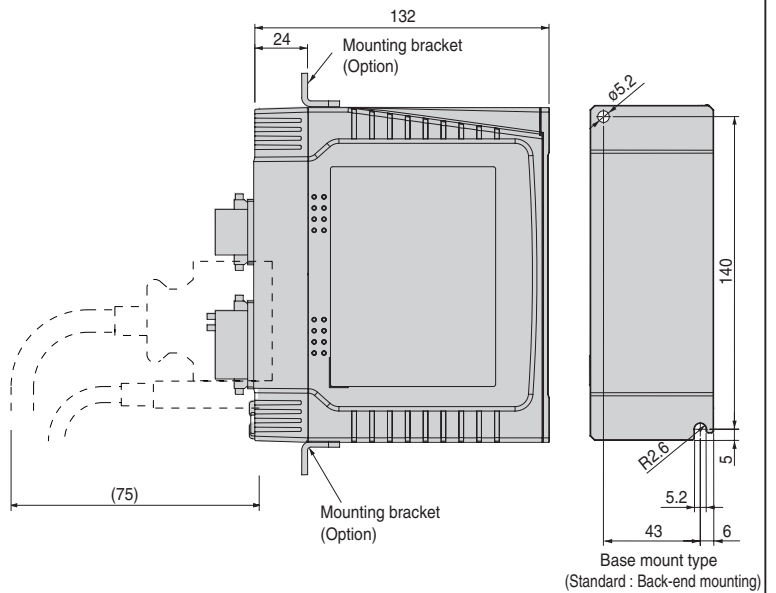
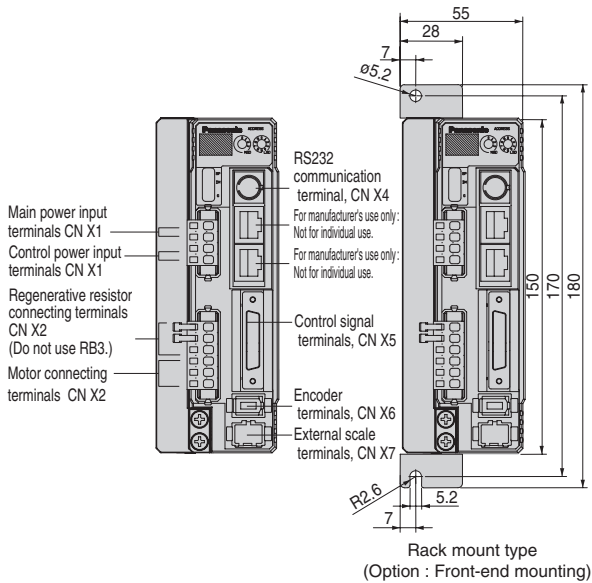
Connector sign	Connector type	Manufacturer
CNX7	53460-0629 (or equivalent)	Molex Inc.
CNX6	53460-0629 (or equivalent)	Molex Inc.
CNX5	529863679 (or equivalent)	Molex Inc.
CNX4	MD-S8000-10 (or equivalent)	J.S.T. Mfg.Co., Ltd.
CNX3B	855050013 (or equivalent)	Molex Inc.
CNX3A	855050013 (or equivalent)	Molex Inc.
CNX2	S06B-F32SK-GGXR (or equivalent)	J.S.T. Mfg.Co., Ltd.
CNX1	S04B-F32SK-GGXR (or equivalent)	J.S.T. Mfg.Co., Ltd.

Connector at Power Supply and Motor side

Connector sign	Connector type	Manufacturer
CNX2	06JFAT-SAXGF (or equivalent)	J.S.T. Mfg.Co., Ltd.
CNX1	04JFAT-SAXGF (or equivalent)	J.S.T. Mfg.Co., Ltd.

Mass 0.8kg

Frame B



Connector at driver side

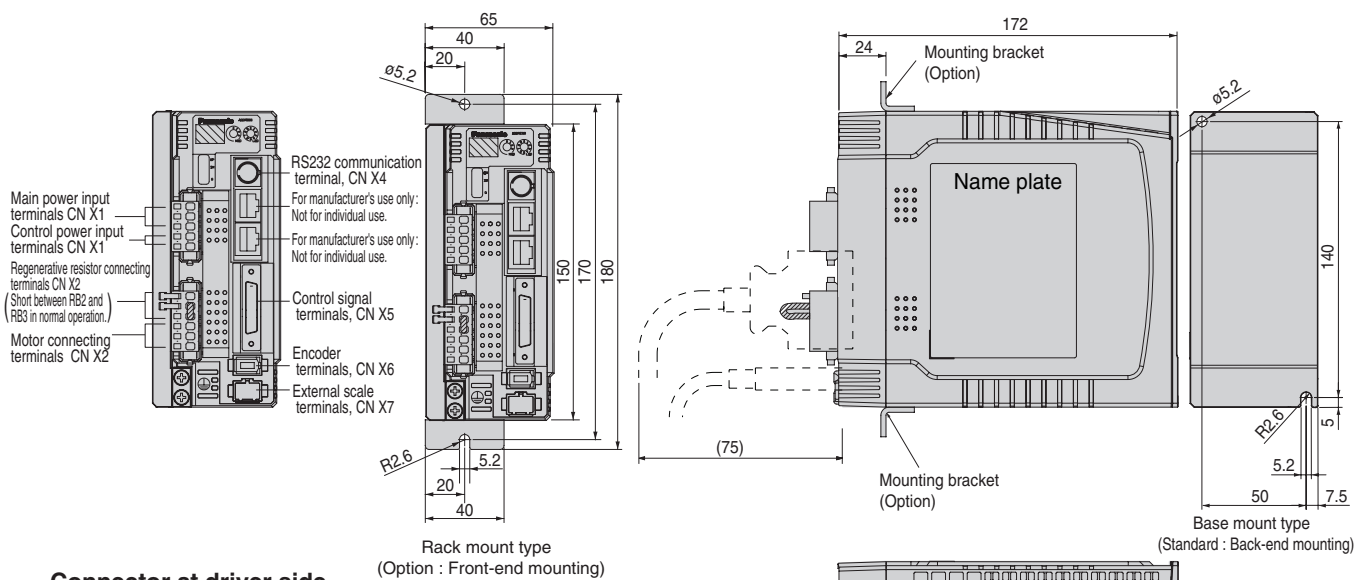
Connector sign	Connector type	Manufacturer
CNX7	53460-0629 (or equivalent)	Molex Inc.
CNX6	53460-0629 (or equivalent)	Molex Inc.
CNX5	529863679 (or equivalent)	Molex Inc.
CNX4	MD-S8000-10 (or equivalent)	J.S.T. Mfg.Co., Ltd.
CNX3B	855050013 (or equivalent)	Molex Inc.
CNX3A	855050013 (or equivalent)	Molex Inc.
CNX2	S06B-F32SK-GGXR (or equivalent)	J.S.T. Mfg.Co., Ltd.
CNX1	S04B-F32SK-GGXR (or equivalent)	J.S.T. Mfg.Co., Ltd.

Connector at Power Supply and Motor side

Connector sign	Connector type	Manufacturer
CNX2	06JFAT-SAXGF (or equivalent)	J.S.T. Mfg.Co., Ltd.
CNX1	04JFAT-SAXGF (or equivalent)	J.S.T. Mfg.Co., Ltd.

Mass 1.1kg

Frame C



Connector at driver side

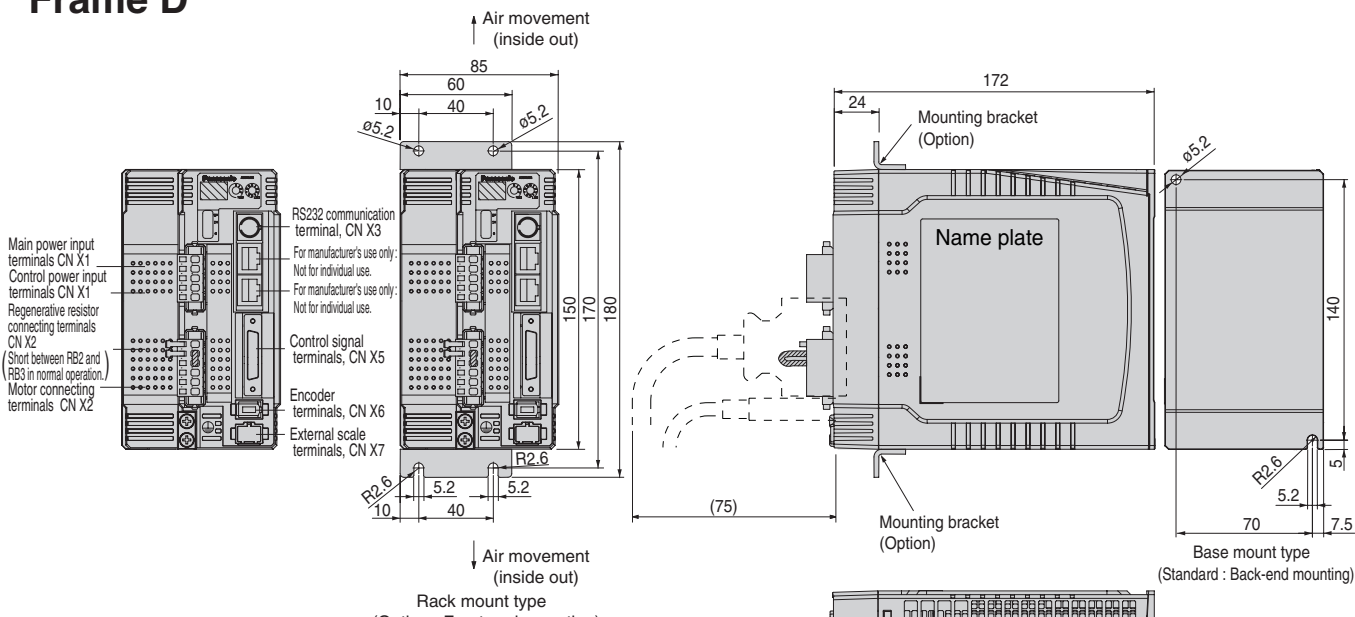
Connector sign	Connector type	Manufacturer
CNX7	53460-0629 (or equivalent)	Molex Inc.
CNX6	53460-0629 (or equivalent)	Molex Inc.
CNX5	529863679 (or equivalent)	Molex Inc.
CNX4	MD-S8000-10 (or equivalent)	J.S.T. Mfg.Co., Ltd.
CNX3B	855050013 (or equivalent)	Molex Inc.
CNX3A	855050013 (or equivalent)	Molex Inc.
CNX2	S06B-F32SK-GGXR (or equivalent)	J.S.T. Mfg.Co., Ltd.
CNX1	S05B-F32SK-GGXR (or equivalent)	J.S.T. Mfg.Co., Ltd.

Connector at Power Supply and Motor side

Connector sign	Connector type	Manufacturer
CNX2	06JFAT-SAXGF (or equivalent)	J.S.T. Mfg.Co., Ltd.
CNX1	05JFAT-SAXGF (or equivalent)	J.S.T. Mfg.Co., Ltd.

Mass 1.5kg

Frame D



Connector at driver side

Connector sign	Connector type	Manufacturer
CNX7	53460-0629 (or equivalent)	Molex Inc.
CNX6	53460-0629 (or equivalent)	Molex Inc.
CNX5	529863679 (or equivalent)	Molex Inc.
CNX4	MD-S8000-10 (or equivalent)	J.S.T. Mfg.Co., Ltd.
CNX3B	855050013 (or equivalent)	Molex Inc.
CNX3A	855050013 (or equivalent)	Molex Inc.
CNX2	S06B-F32SK-GGXR (or equivalent)	J.S.T. Mfg.Co., Ltd.
CNX1	S05B-F32SK-GGXR (or equivalent)	J.S.T. Mfg.Co., Ltd.

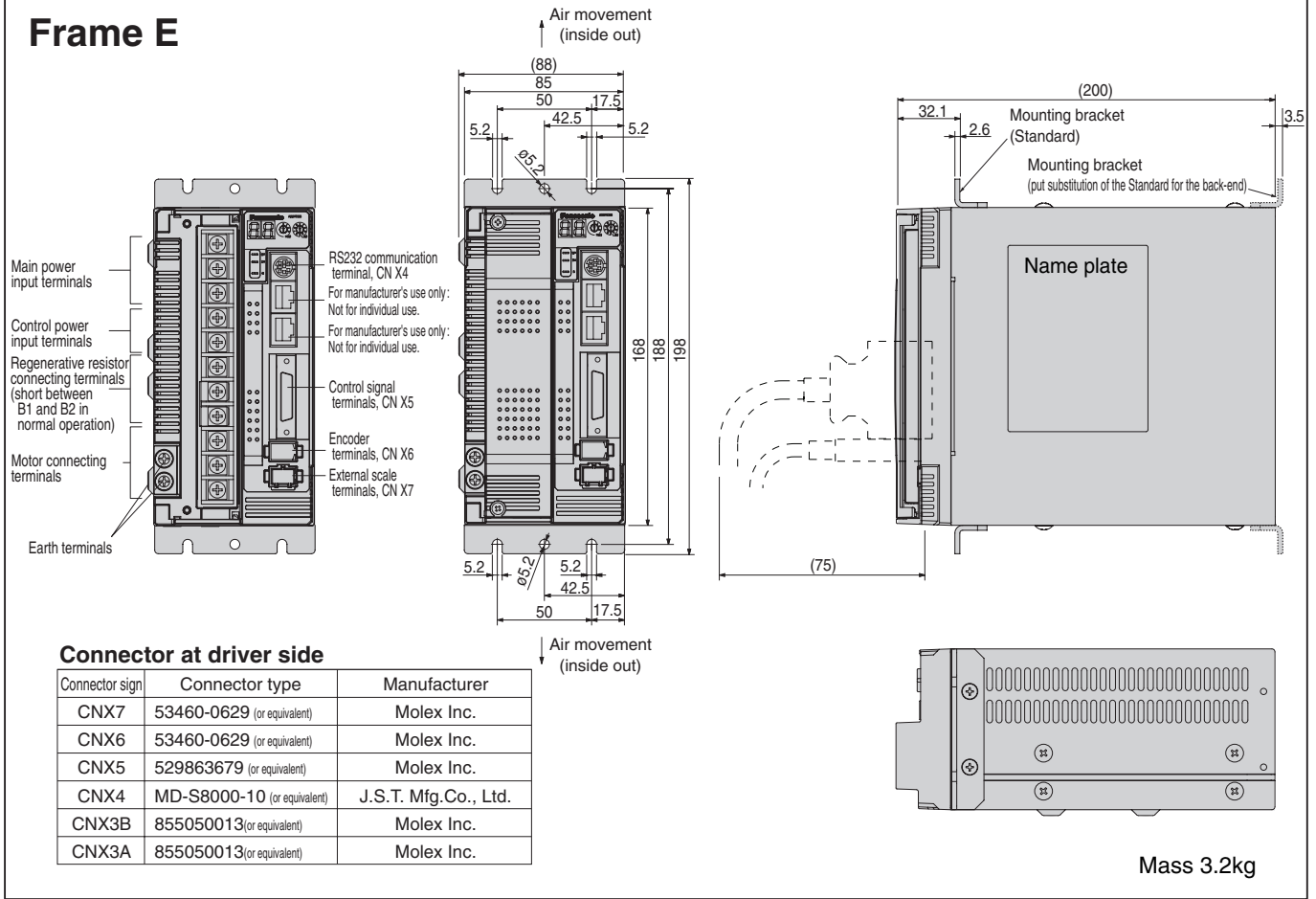
Connector at Power Supply and Motor side

Connector sign	Connector type	Manufacturer
CNX2	06JFAT-SAXGF (or equivalent)	J.S.T. Mfg.Co., Ltd.
CNX1	05JFAT-SAXGF (or equivalent)	J.S.T. Mfg.Co., Ltd.

Mass 1.7kg

Driver/Dimensions

Frame E



Frame F

